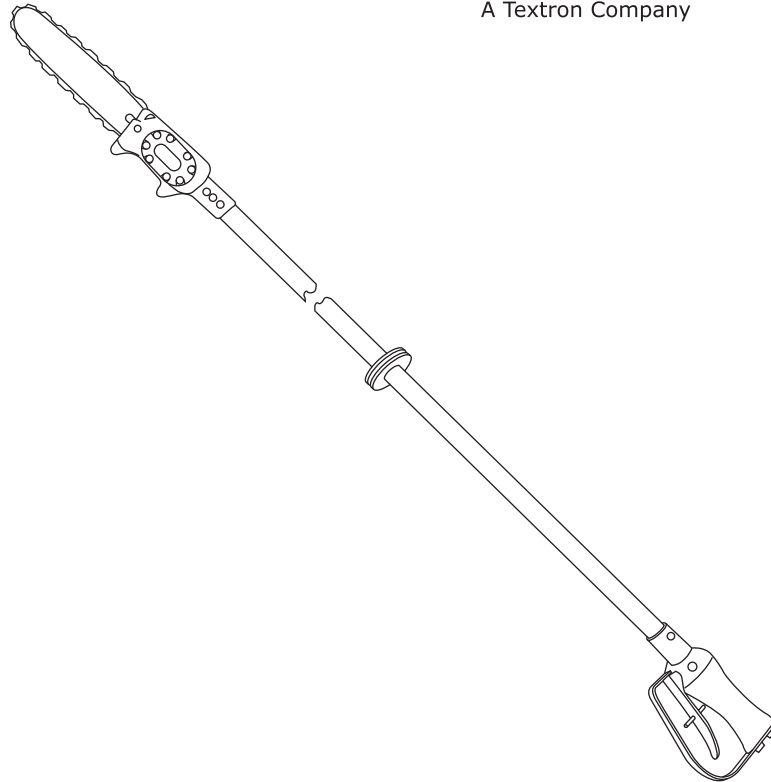


SERVICE MANUAL



GREENLEE[®]
UTILITY
A Textron Company



38568, 43177, and 43178 Long-Reach Chain Saws

Serial Codes AMM, AMN, AMP, FRM, FRP, FRR, HAA, HAB, and HAC



Read and understand all of the instructions and safety information in this manual before operating or servicing this tool.

Register this product at www.greenlee.com

Table of Contents

Safety	2
Purpose of this Manual	2
Other Publications	2
Important Safety Information	3
Disassembly	4
Inspection	4
Assembly	5-6
Illustrations and Parts List	7-16

Safety

Safety is essential in the use and maintenance of Greenlee Utility tools and equipment. This service manual and any markings on the tool provide information for avoiding hazards and unsafe practices related to the use of this tool. Observe all of the safety information provided.

Purpose of this Manual

This manual is intended to familiarize all personnel with the safe service procedures for the following Greenlee Utility hydraulic tools:

38568 Serial Codes AMM, FRM, and HAB

43177 Serial Codes AMN, FRP, and HAC

43178 Serial Codes AMP, FRR, and HAA

Keep this manual available to all personnel.

Replacement manuals are available upon request at no charge at www.greenlee.com.

Other Publications

Instruction Manual: Publication 99930749

SAE Standard J1273 (Hose and Hose Assemblies):
Publication 99930323

All specifications are nominal and may change as design improvements occur. Greenlee Textron Inc. shall not be liable for damages resulting from misapplication or misuse of its products. Loctite and 242 are registered trademarks of Loctite Corporation.

KEEP THIS MANUAL

IMPORTANT SAFETY INFORMATION



SAFETY ALERT SYMBOL

This symbol is used to call your attention to hazards or unsafe practices which could result in an injury or property damage. The signal word, defined below, indicates the severity of the hazard. The message after the signal word provides information for preventing or avoiding the hazard.

⚠️ DANGER

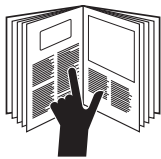
Immediate hazards which, if not avoided, **WILL** result in severe injury or death.

⚠️ WARNING

Hazards which, if not avoided, **COULD** result in severe injury or death.

⚠️ CAUTION

Hazards or unsafe practices which, if not avoided, **MAY** result in injury or property damage.



⚠️ WARNING

Read and understand all of the instructions and safety information in this manual before operating or servicing this tool. Refer also to the Instruction Manual, which is listed under "Other Publications."

Failure to observe this warning could result in severe injury or death.

⚠️ WARNING

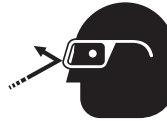


Skin injection hazard:

Oil under pressure easily punctures skin causing serious injury, gangrene or death. If you are injured by escaping oil, seek medical attention immediately.

- Do not use hands to check for leaks.
- Do not hold hose or couplers while the hydraulic system is pressurized.
- Depressurize the hydraulic system before servicing.

⚠️ WARNING



Wear eye protection when operating or servicing this tool.

Failure to wear eye protection could result in serious eye injury from flying debris or hydraulic oil.

⚠️ WARNING

Do not exceed the maximum hydraulic flow, pressure relief or back pressure listed in the Instruction Manual.

Failure to observe this warning could result in severe injury or death.

Disassembly

Complete disassembly of the tool is not recommended. If a complete overhaul is necessary, return the tool to your nearest authorized Greenlee Utility service center.

The disassembly procedure is divided into sections of the tool. Disassemble only the section(s) necessary to complete the repair.

Disassemble the tool on a flat, clean surface. Take care not to lose or damage any parts that may fall free during disassembly.

Inner and Outer Tubes

1. Remove hex head cap screw (10) and lock washer (11) which secure outer tube (4). Remove inner tubes (2 and 3) from ports of handle assembly (8). Remove handle assembly from outer tube. Plug (5) may fall free.
2. Remove three oval head machine screws (9) which secure outer tube to motor assembly (1). Remove outer tube from motor assembly. Nut carrier (7) may fall free. Remove inner tubes (2 and 3) from ports of motor assembly.
3. Remove outer tube (4) from inner tubes (2 and 3). Clean both outer and inner tubes. Inspect O-rings (22) for signs of cracks or wear. Remove, if necessary.

Handle Assembly (Serial Codes HAA, HAB, and HAC)

1. Remove two round machine screws (39) from guard (38). Remove guard from handle (27).
2. Remove retaining ring (46) and trigger pivot (45), which secures trigger (41).
3. Remove retaining ring (49) to remove spool assembly (35, 36, 28–30) from handle (27).
4. Remove internal retaining ring (30) from spool (35) to remove Super Spool (28).

Handle Assembly (Serial Codes AMM, AMN, AMP, FRM, FRP, and FRR)

1. Remove two round head machine screws (39) and lock washers (40) from guard (38). Remove guard (38) from handle assembly (27).
2. Remove retaining ring (46) and trigger pivot (45) which secures trigger (41).
3. Remove internal retaining ring (30) from sleeve (28) which will allow spring (33) and washer (32) to be removed.
4. Remove internal retaining ring (50) and washer (37).
5. Remove spool (35) from sleeve (28).
6. Remove external retaining ring (49). Pull sleeve (28) out of handle (27).

Saw Blade and Chain

1. Remove hex head cap screws (15). Remove cover (14). Remove saw chain from sprocket (26). Remove bar (12) from motor assembly (1). Dog and tension bolt may be removed from saw head if necessary.
2. Remove stop nut (19), sprocket adapter (26), rim sprocket (18), sprocket key (17), and sprocket washer (16) from drive shaft.

Motor Assembly

1. Scribe a line across motor cap (55) and saw head assembly (52) to help align parts correctly during reassembly. Remove socket head cap screws (66). Remove motor cap from saw head assembly.
2. Remove idler shaft (58). Remove gear (61) from idler shaft (58). Remove gear (61) and Woodruff key (59) from drive shaft (57). Remove gasket (62) from motor. Remove dowel pins (63), if necessary.
3. Remove retaining ring (65). Drive shaft may be driven out of saw head assembly, threaded end first, using a rubber mallet. Remove ball bearing (64) from drive shaft.
4. Bearings (53 and 56) should be removed from saw head assembly and motor cap only if they are damaged. Bearings are pressed in, and should be removed only if the necessary equipment to replace them is available.
5. Remove metering screw (68), which controls oil flow to automatic chain oiler. Remove O-ring (67).

Inspection

Clean all parts with solvent and dry them thoroughly. Inspect each component as described in this section. Replace any component that shows wear or damage.

1. Saw Head Assembly and Motor Cap Assembly: Inspect mating surfaces, gear cavities, oil passages, etc. for grooves or nicks. If any component shows wear or damage, replace the entire assembly with the bearings already pressed in.
2. Inspect all other disassembled components for cracks, grooves or nicks.

Assembly

Refer to the Illustration(s) and Parts List for correct orientation and placement of parts.

Replace any O-rings, V-rings, seals, and gaskets on parts that have been disassembled. Apply hydraulic fluid or O-ring lubricant to all O-rings and all metal surfaces which they must slide over. When installing an O-ring which must slide over sharp surfaces, use a rolling motion and be careful not to damage the O-ring.

Wherever the assembly results in metal-to-metal contact, coat the surfaces with hydraulic fluid or O-ring lubricant.

Motor Assembly

1. If bearings (53 and 56) have been removed from the motor cap (55) and saw head (52), replace them. Install O-ring (54) in saw head.
2. Install ball bearing (64) over threaded end of drive shaft (57). Install non-threaded end of drive shaft (57) through front of cavity in saw head assembly (52). Secure with retaining ring (65). Install drive pin (60) into idler shaft (58) and install idler shaft into cavity on rear side of saw head assembly (52). Install Woodruff key (59) into drive shaft (57).
3. Install one gear (61) onto idler shaft (58), aligning notch in gear over drive pin (60). Install one gear (61) on drive shaft (57), aligning notch in gear over Woodruff key (59).
4. Install gasket (62) on saw head assembly (52). Install dowel pins (63) in saw head assembly. Install motor cap (55) on saw head assembly, using the line scribed during disassembly to align parts correctly. Secure motor cap (55) to saw head assembly with washers (70) and socket head cap screws (66). Torque to 9 newton-meters (80 in-lb).

5. If metering screw has been removed, install O-ring (67) on metering screw (68). Install metering screw, bottoming it out in the cavity, and backing it off about 1/2 turn.

Note: Metering screw is not adjusted at this point. After assembly is completed, adjust automatic oiler before using the tool.

6. If O-rings (69) have been removed, install a new O-ring inside each port of saw head assembly (52).

Saw Bar and Chain

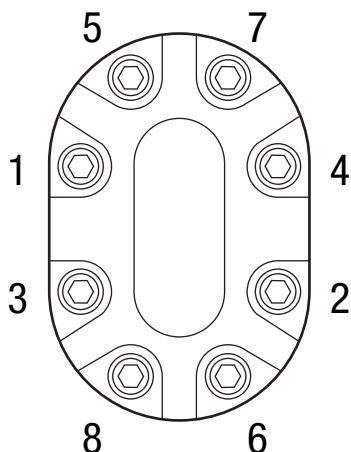
1. Install sprocket key (17), sprocket washer (16), sprocket (18), sprocket adapter (26), and stop nut (19) on threaded end of drive shaft. Ensure that sprocket adapter is assembled onto shaft with 1.500 dia. face oriented toward stop nut.
2. Set saw head down flat. Install dog (21) with small diameter side facing out. Install adjusting screw (20) into back side of saw head and thread into dog.
3. Place bar with chain wrapped around it onto saw head. Ensure dog is placed in the guide hole around the outer edge of the bar. Place cover (14) with hex head cap screws (15) over bar and secure screws into saw head loosely but enough to hold bar flat onto saw head with dog in guide hole.

4. Place chain around sprocket and bar.

Note: Lubricate the saw chain (13) well (especially a new chain) before installation. Oil all joints and work oil into rivet holes. The best way to oil a new chain is to soak it in oil before installation.

5. Tighten adjusting screw (20) until proper tension is achieved. (Refer to "Adjusting Chain Tension" in the "Maintenance" section of the Instruction Manual.)
6. Secure hex head cap screws (15) to 16.9 newton-meters (150 in-lb).

Torque Sequence



Assembly (cont'd)

Handle Assembly (Serial Codes HAA, HAB, and HAC)

1. Install O-ring (29) on the Super Spool (28).
2. Install Super Spool (28) into spool (35) and retain with retaining ring (30).
3. Install O-ring (34) and ring (32) in handle body (27).
4. Install O-ring (36) onto spool (35).
5. Install spool (35), washer (31), and spring (33) into handle body (27) and retain with retaining ring (49).
6. Position trigger (41) onto handle assembly. Slide trigger pivot (45) through holes and secure with retaining rings (46).
7. Position guard (38) onto handle assembly. Secure with roll pin (51) and round head machine screws (39).
8. Secure grips (37, 50) to handle using nut and bolt (40, 48).
9. Position trigger pin (44) through trigger (41), safety latch (42), and torsion spring (43). Secure with retaining rings (46).

Handle Assembly (Serial Codes AMM, AMN, AMP, FRM, FRP, and FRR)

1. Install O-rings (47) in the valve handle (27).
2. Install O-ring (48) in valve handle (27). Install O-rings (34 and 48) in sleeve (28). Install sleeve (28) in valve handle (27). Secure with external retaining ring (49).
3. Install O-ring (36) on spool (35). Install spool (35) through trigger end of valve handle.
4. Install spring (33), and O-ring (32) and secure with retaining ring (30).
5. Install washer (37) and secure with retaining ring (50).
6. Position trigger (41) onto handle assembly. Slide trigger pivot (45) through holes and secure with retaining rings (46).
7. Position guard (38) onto handle assembly. Secure with lock washer (40) and round head machine screws (39).

Inner and Outer Tubes

1. Hold the two inner tubes (2 and 3) together, and slide one O-ring (22) over the tubes, halfway down the length of the tubes. Turn one of the tubes end for end, so that the O-ring forms a figure 8 around the tubes. Slide one O-ring (22) in a figure 8 over each end of the tubes, pushing the O-ring down approximately 15.9 cm (6-1/4") from the end of the inner tubes.

Note: Inner tube (2) is the pressure tube, and should be marked either with marking tape or with dye on both ends. Be careful to install the marked tube in P port of both the motor assembly and the valve assembly. Improper installation of the inner tubes will cause the saw to run backwards.

2. Lubricate tips of inner tubes with hydraulic oil to ease assembly. Press inner tube (3) into the top (return) port of motor assembly (1). Press inner tube (2) into the lower (pressure) port of motor assembly, which is marked P.
3. Press one nut carrier (7) into corresponding holes in end of outer tube (4). Nut carrier may be glued to outer tube to hold it in place during assembly. Slide the outer tube over the inner tubes, with the end of the outer tube which has small holes for securing to the handle assembly (8) away from the motor assembly (1). Place the outer tube into the motor assembly, aligning the nut carrier under the holes in the motor assembly. Apply one drop of thread-locking compound (Loctite 242 or equivalent) to three oval head machine screws (9). Install screws, securing outer tube to motor assembly.
4. For proper tool operation, the same inner tube (2) that was installed in the pressure port of the motor assembly (1) **must** be installed in the pressure port of the handle assembly (8). Lubricate tips of inner tubes with hydraulic oil to ease assembly. Press inner tube (3) into the top (return) port of handle assembly (8). Press inner tube (2) into the lower (pressure) port, which is marked P.
5. Insert plug (5) and O-ring (6) in outer tube (4) and install in valve handle (8). Secure with cap screw (10) and washer (11).

Illustration—Main for Serial Codes HAA, HAB, and HAC

Note: O-rings (22) must be twisted into a figure 8 configuration and slid over inner tubes (2 and 3) as shown.

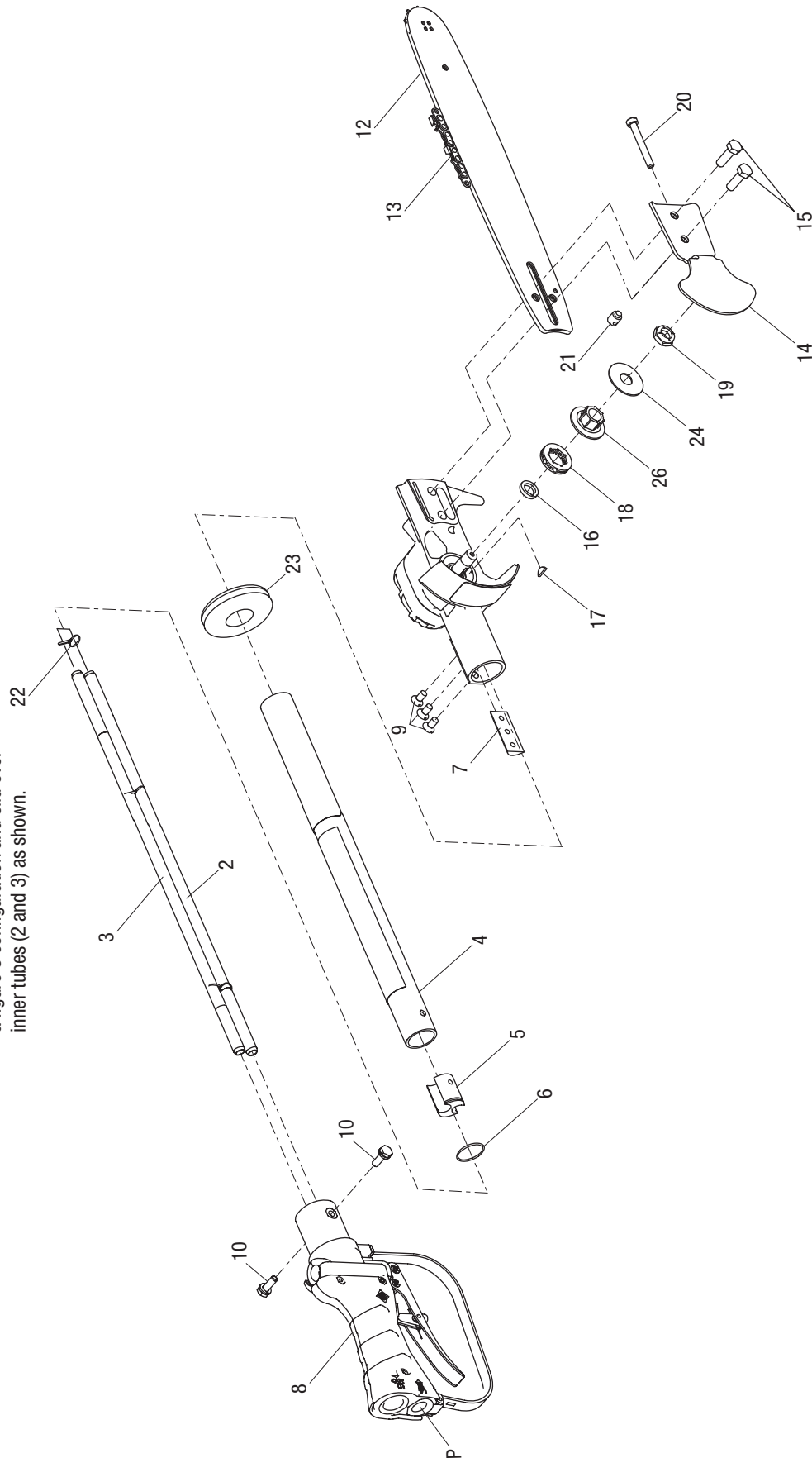


Illustration – Main for Serial Codes AMM, AMN, and AMP

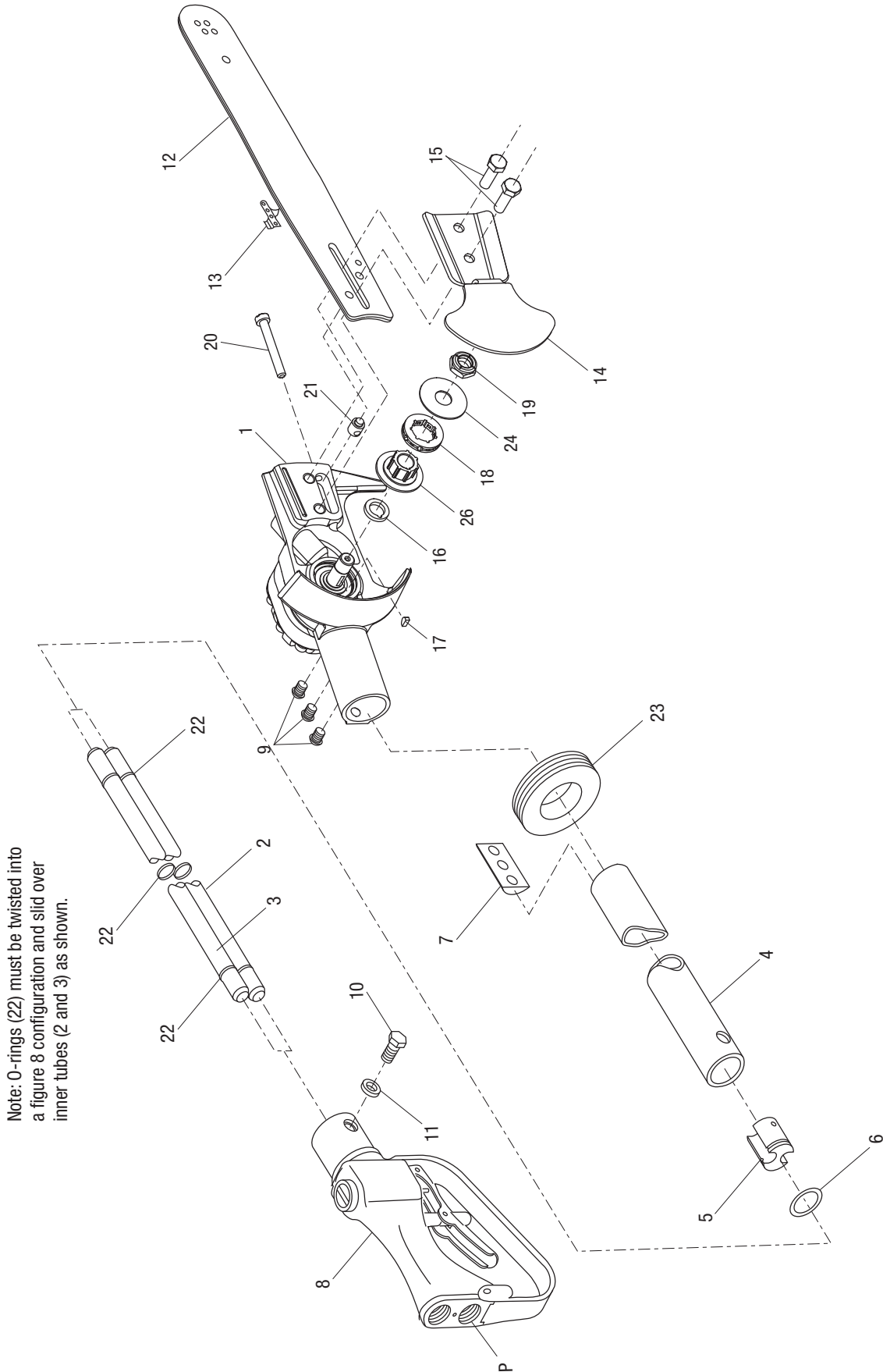
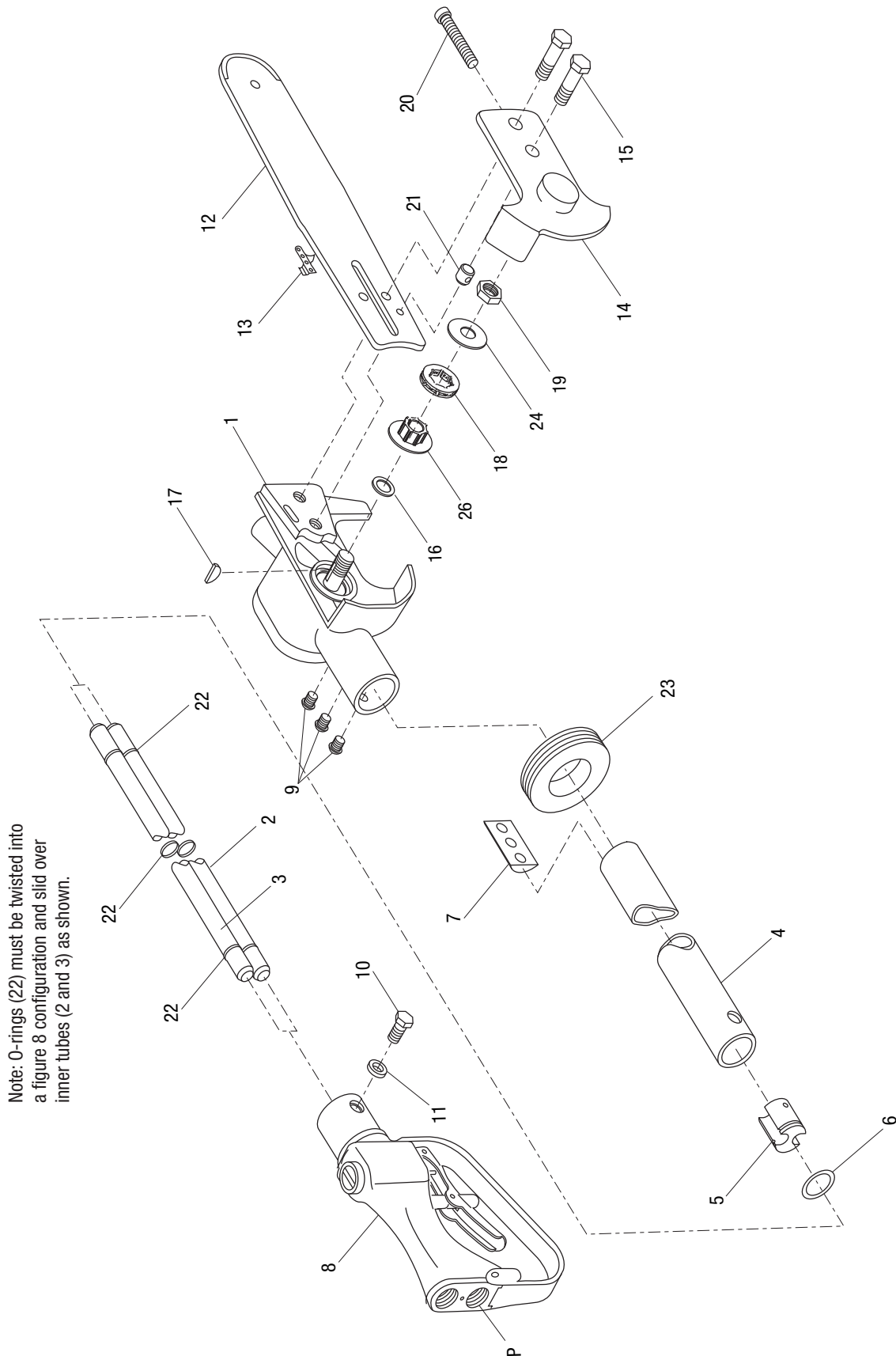
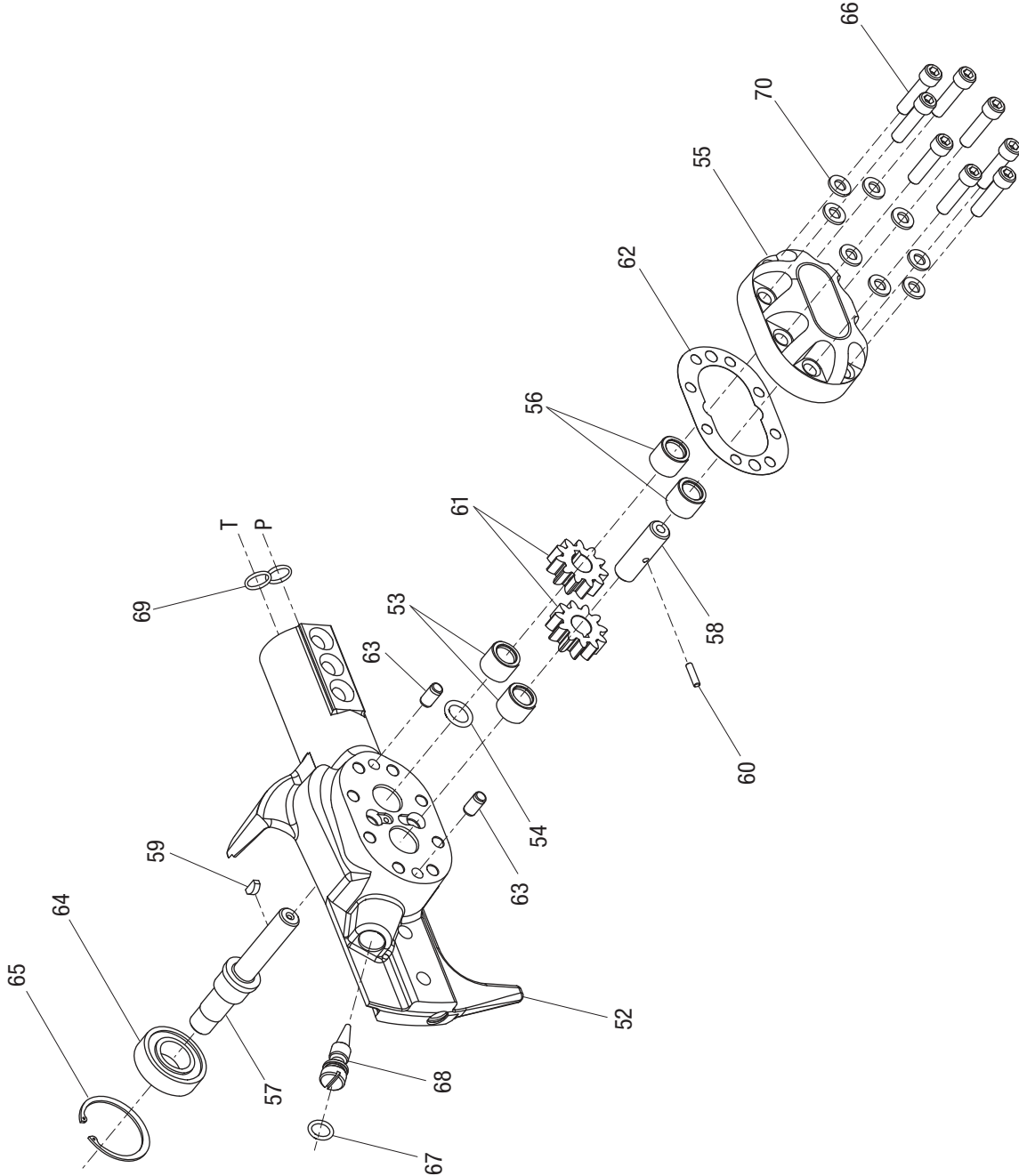


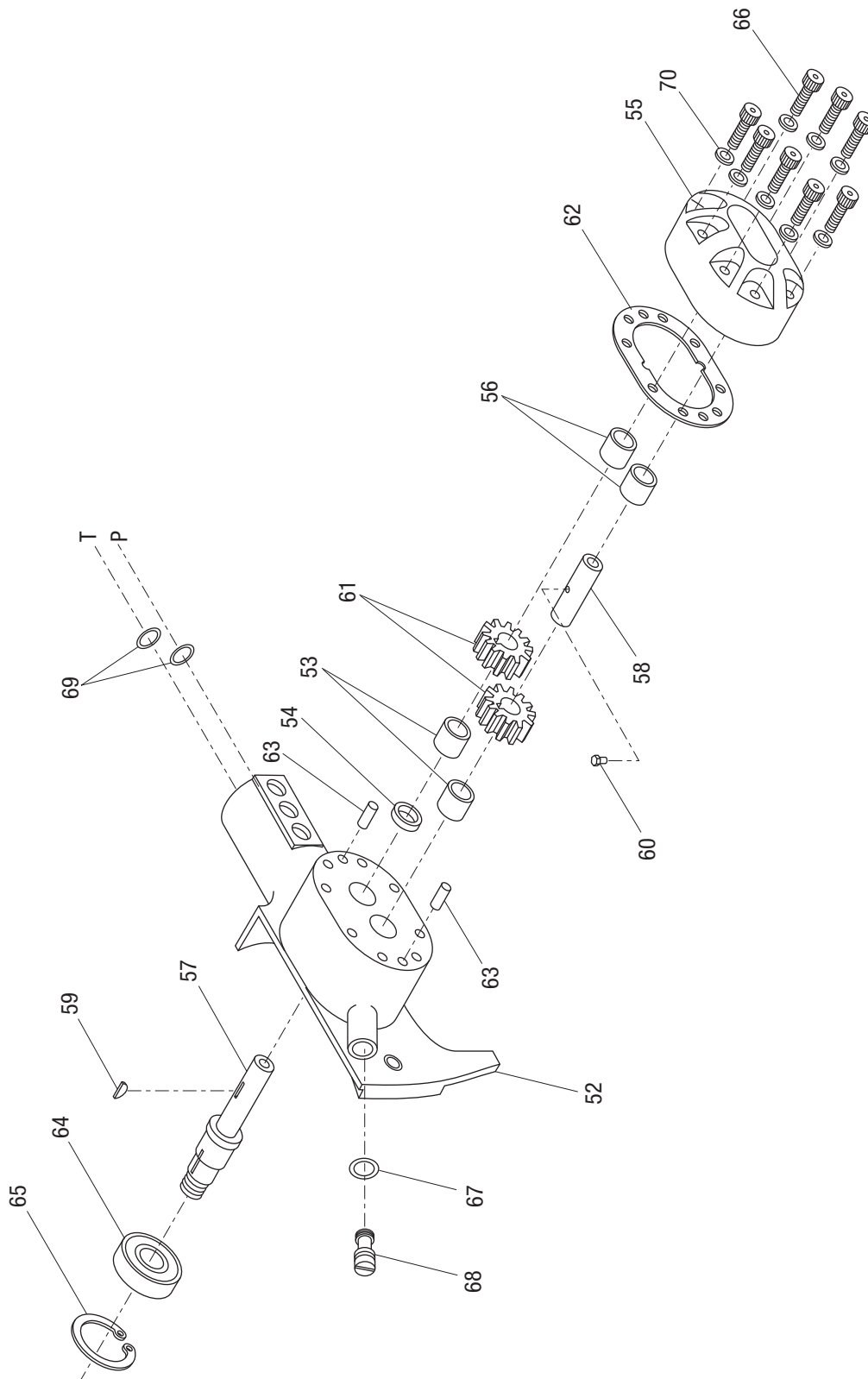
Illustration – Main for Serial Codes FRM, FRP, and FRR



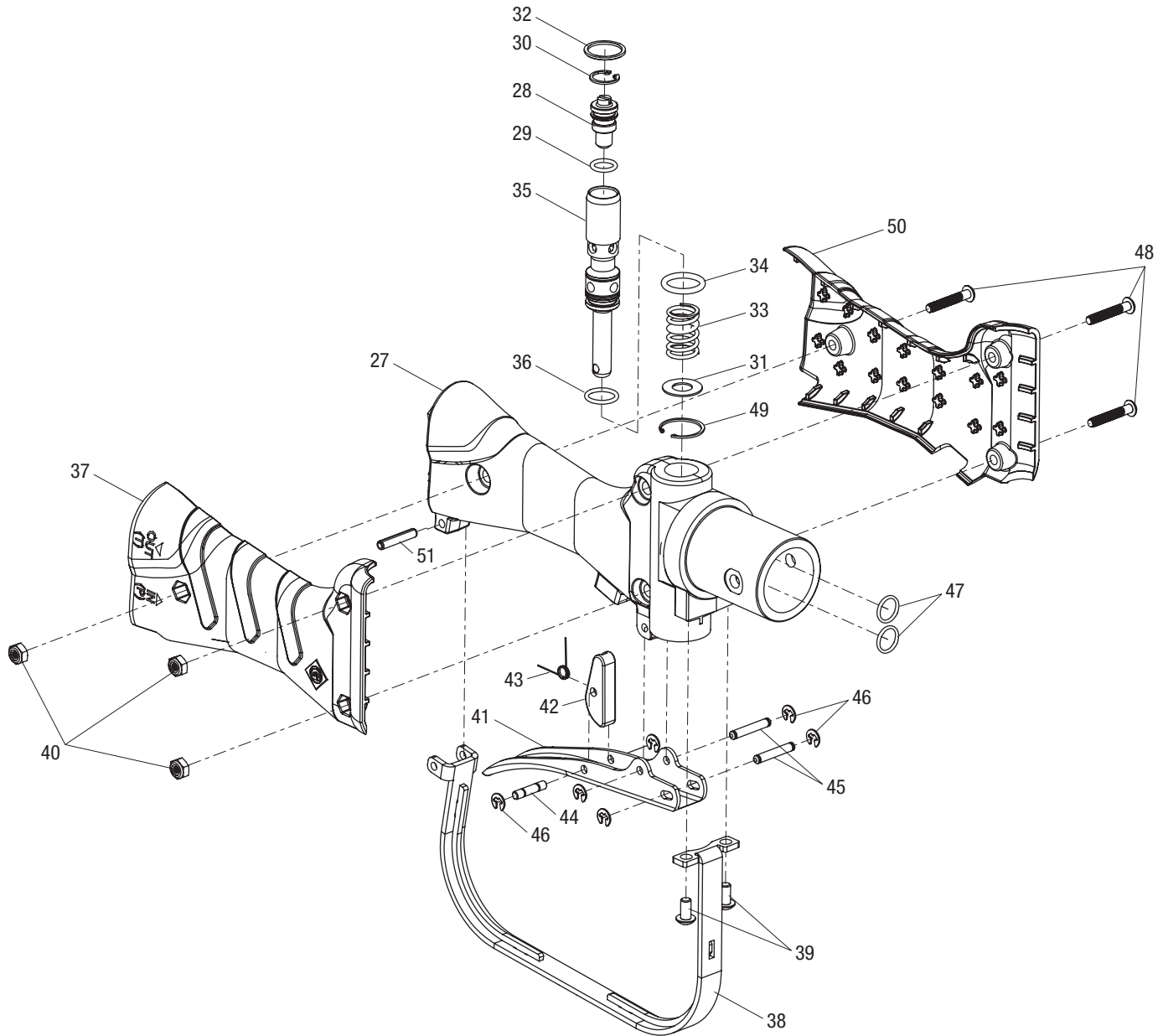
**Illustration—Motor Assembly for Serial Codes
AMM, AMN, AMP, HAA, HAB, and HAC**



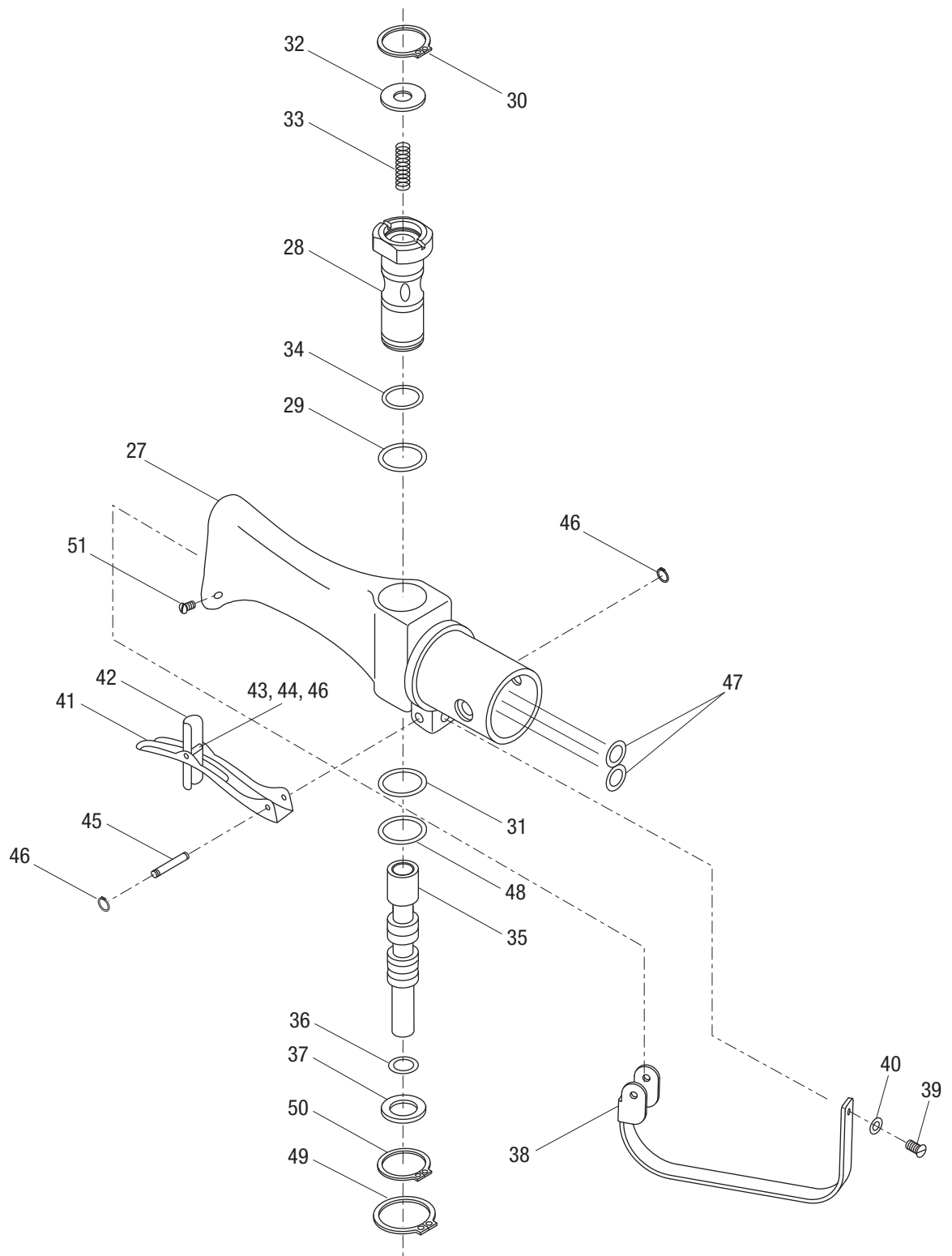
Illustration—Motor Assembly for Serial Codes FRM, FRP, and FRR



Illustration—Handle Assembly for Serial Codes HAA, HAB, and HAC



**Illustration—Handle Assembly for Serial Codes
AMM, AMN, AMP, FRM, FRP, and FRR**



Parts List for Serial Codes HAA, HAB, and HAC

Key	UPC No. 78-3310-	Part No.	Description	Qty	Key	UPC No. 78-3310-	Part No.	Description	Qty
1	43558	50435582	Motor assembly (includes items 52-69).....	1	42			Safety latch.....	1
2	42491	50424911	Pressure tube (model 38568).....	1	43			Torsion spring.....	1
	43386	50433865	Pressure tube (model 43177).....	1	44			Pin.....	1
	43385	50433857	Pressure tube (model 43178).....	1	45			Trigger pivot.....	2
3	42492	50424920	Return tube (model 38568).....	1	46			Retaining ring.....	6
	43388	50433881	Return tube (model 43177).....	1	47*			O-ring, urethane.....	4
	43387	50433873	Return tube (model 43178).....	1	48			Screw, 8-32 x 1.00 button cap.....	3
4	43389	50433890	Outer tube (model 38568).....	1	49	41648	50416480	Internal retaining ring, .750 x .035.....	1
	48262	50482629	Outer tube (model 43177).....	1	50			Left handle grip.....	1
	48263	50482637	Outer tube (model 43178).....	1	51			Roll pin.....	1
5	41121	50411214	Plug.....	1	52	02089	52058055	Saw head assembly (includes items 53, 54, 69).....	1
6*			O-ring, .937 x 1.062 x .062-90.....	1	53	41591	50415911	Needle bearing, .439 x .625 x .500.....	2
7	40118	50401184	Carrier, nut.....	1	54*			O-ring, .500 x .687 x .093-80.....	1
8	48818	50488180	Handle assembly (includes items 27-51).....	1	55	40405	50404053	Motor cap assembly with bearings (includes items 56, 66, 70).....	1
9			Screw, machine, 1/4-20 x .500 oval head.....	3	56	41591	50415911	Needle bearing, .439 x .625 x .500.....	2
10			Screw, cap, 1/4-20 x .750 hex head, grade 5.....	2	57	43839	50438395	Shaft.....	1
11			Lock washer, 1/4".....	2	58	40114	50401144	Idler shaft.....	1
12	43369	50433695	Saw bar.....	1	59	40115	50401154	Woodruff key.....	1
13	43370	50433709	Saw chain, .325" pitch.....	1	60	41593	50415930	Pin, drive, .123 x .209 square head.....	1
14	02093	52047938	Cover.....	1	61	41594	50415940	Gear, 11-tooth.....	2
15			Screw, cap, 5/16-18 x 1.00 hex head.....	2	62*			Gasket, 2.09 x 3.09 x .0015.....	1
16 ♦			Spacer.....	1	63	41596	50415960	Pin, dowel, .250 x .500.....	2
17 ♦			Woodruff key, #2.....	1	64	41598	50415981	Ball bearing.....	1
18	55101	90551010	Rim sprocket, .325" pitch.....	1	65	41482	50414821	Retaining ring, 1.375".....	1
19 ♦			Nut, hex, 1/2-20.....	1	66			Screw, cap, 1/4-20 x 1.000 socket head.....	8
20			Screw, machine, 1/4-20 x 2.00 fillister head.....	1	67*			O-ring, .375 x .500 x .062-70.....	1
21	02094	52054770	Dog.....	1	68	02092	52047936	Screw, metering.....	1
22*			O-ring, .875 x 1.00 x .062-70.....	2	69*			O-ring, .437 x .562 x .062-90.....	2
23	42015	50420154	Rubber grommet.....	1	70			Washer, 6 mm, hard.....	8
24 ♦			Washer, flat, .530 x 1.50 x .050.....	1					
26 ♦			Adapter, sprocket.....	1					
27	03542	52065777	Handle.....	1					
28	00917	52063610	Super Spool.....	1					
29*			O-ring, .375 x .500.....	1					
30	48540	50485407	Retaining ring.....	1					
31	48310	50483102	Washer, .76 x .734.....	1					
32*			Ring.....	1					
33	00399	52060673	Trigger spring.....	1					
34*			O-ring, .612 x .818.....	1					
35	00380	52060643	Spool.....	2					
36*			O-ring, 1/2 x 5/8.....	1					
37			Right handle grip.....	1					
38			Trigger guard.....	2					
39			Screw, #10-32 x .375 button head.....	2					
40			Lock nut, 8-32.....	3					
41			Trigger.....	1					

Kits				
*	03550	52071999	Packing kit (includes items marked with an asterisk)	
	02088	52058054	Motor assembly (includes items 14, 15, 20, 21, 52-70)	
	48818	50488180	Handle assembly (includes items 27-51)	
	02089	52058055	Saw head assembly (includes items 53, 54, 69)	
	40405	50404053	Motor cap assembly (includes items 56, 66, 70)	
	06707	52071998	Safety trigger assembly (includes items 41-46)	
♦	12657	52028588	Drive repair kit (includes items marked with ♦)	
	00376	52060640	Trigger guard kit (includes items 38, 39, 51)	
	06613	52079544	Grip kit (includes items 37, 40, 48, 50)	

Decals				
	46293	50462938	Decal.....	1
	41547	50415471	Decal, Greenlee Utility.....	1

Parts List for Serial Codes AMM, AMN, and AMP

Key	UPC No. 78-3310-	Part No.	Description	Qty	Key	UPC No. 78-3310-	Part No.	Description	Qty	
1	43558	50435582	Motor assembly (includes items 52-69).....	1	42	04798	50047981	Latch, trigger interlock.....	1	
2	42491	50424911	Pressure tube (model 38568).....	1	43	04799	50047990	Spring, torsion.....	1	
	43386	50433865	Pressure tube (model 43177).....	1	44	04800	50048007	Pin.....	1	
	43385	50433857	Pressure tube (model 43178).....	1	45	42547	50425471	Trigger pivot.....	1	
3	42492	50424920	Return tube (model 38568).....	1	46	42827	50428270	Retaining ring.....	4	
	43388	50433881	Return tube (model 43177).....	1	47*			O-ring, .437 x .562 x .062-90.....	2	
	43387	50433873	Return tube (model 43178).....	1	48*			O-ring, .875 x 1.00 x .062-70.....	1	
4	43389	50433890	Outer tube (model 38568).....	1	49	54819	90548191	Retaining ring, .875".....	1	
	48262	50482629	Outer tube (model 43177).....	1	50	41297	50412971	Retaining ring, .625".....	1	
	48263	50482637	Outer tube (model 43178).....	1	51			Screw, cap, #10-32 x .375 button socket head.....	2	
5	41121	50411214	Plug.....	1	52	02089	52058055	Saw head assembly (includes items 53, 54, 69).....	1	
6*			O-ring, .937 x 1.062 x .062-90.....	1	53	41591	50415911	Needle bearing, .439 x .625 x .500.....	2	
7	40118	50401184	Carrier, nut.....	1	54*			O-ring, .500 x .687 x .093-80.....	1	
8	48818	50488180	Handle assembly (includes items 27-51).....	1	55	40405	50404053	Motor cap assembly with bearings (includes items 56, 66, 70).....	1	
9			Screw, machine, 1/4-20 x .500 oval head.....	3	56	41591	50415911	Needle bearing, .439 x .625 x .500.....	2	
10			Screw, cap, 1/4-20 x .750 hex head, grade 5.....	2	57	43839	50438395	Shaft.....	1	
11			Lock washer, 1/4".....	2	58	40114	50401144	Idler shaft.....	1	
12	43369	50433695	Saw bar.....	1	59	40115	50401154	Woodruff key.....	1	
13	43370	50433709	Saw chain, .325" pitch.....	1	60	41593	50415930	Pin, drive, .123 x .209 square head.....	1	
14	02093	52047938	Cover.....	1	61	41594	50415940	Gear, 11-tooth.....	2	
15			Screw, cap, 5/16-18 x 1.00 hex head.....	2	62*			Gasket, 2.09 x 3.09 x .0015.....	1	
16 ♦			Spacer.....	1	63	41596	50415960	Pin, dowel, .250 x .500.....	2	
17 ♦			Woodruff key, #2.....	1	64	41598	50415981	Ball bearing.....	1	
18	55101	90551010	Rim sprocket, .325" pitch.....	1	65	41482	50414821	Retaining ring, 1.375".....	1	
19 ♦			Nut, hex, 1/2-20.....	1	66			Screw, cap, 1/4-20 x 1.000 socket head.....	8	
20			Screw, machine, 1/4-20 x 2.00 fillister head.....	1	67*			O-ring, .375 x .500 x .062-70.....	1	
21	02094	52054770	Dog.....	1	68	02092	52047936	Screw, metering.....	1	
22*			O-ring, .875 x 1.00 x .062-70.....	2	69*			O-ring, .437 x .562 x .062-90.....	2	
23	42015	50420154	Rubber grommet.....	1	70			Washer, 6 mm, hard.....	8	
24 ♦			Washer, flat, .530 x 1.50 x .050.....	1						
26 ♦			Adapter, sprocket.....	1						
27	48815	50488155	Handle.....	1						
28	43420	50434209	Sleeve.....	1						
29*			O-ring, .750 x .875 x .062-90.....	1	Kits					
30	41712	50417122	Retaining ring, .750".....	1	*	48254	50482548	Packing kit (includes items marked with an asterisk)		
31*			O-ring, .787 x .889 x .051-70.....	1	02088	52058054		Motor assembly (includes items 14, 15, 20, 21, 52-70)		
32	41095	50410952	Cap.....	1	48818	50488180		Handle assembly (retrofits to Cool Grip handle) (includes items 27-51)		
33	42865	50428651	Spring.....	1	02089	52058055		Saw head assembly (includes items 53, 54, 69)		
34*			O-ring, .437 x .625 x .093-90.....	1	40405	50404053		Motor cap assembly (includes items 56, 66, 70)		
35	43421	50434217	Spool.....	1	04796	50047965		Safety trigger assembly (includes items 41-46)		
36*			O-ring, .312 x .437 x .062-70.....	1	♦	12657	52028588		Drive repair kit (includes items marked with ♦)	
37	41096	50410962	Washer, .355 x .615 x .030.....	1						
38	48817	50488171	Trigger guard.....	1	Decals					
39			Screw, machine, #10-32 x .375 round head.....	1	46293	50462938		Decal.....	1	
40			Lock washer, #10.....	1	41547	50415471		Decal, Greenlee Utility.....	1	
41	04797	50047973	Trigger.....	1						

Parts List for Serial Codes FRM, FRP, and FRR

Key	UPC No. 78-3310-	Part No.	Description	Qty	Key	UPC No. 78-3310-	Part No.	Description	Qty
1	43558	50435582	Motor assembly (includes items 52-69).....	1	43	04799	50047990	Spring, torsion.....	1
2	42491	50424911	Pressure tube (model 38568).....	1	44	04800	50048007	Pin.....	1
	43386	50433865	Pressure tube (model 43177).....	1	45	42547	50425471	Trigger pivot.....	1
	43385	50433857	Pressure tube (model 43178).....	1	46	42827	50428270	Retaining ring.....	4
3	42492	50424920	Return tube (model 38568).....	1	47*			O-ring, .437 x .562 x .062-90.....	2
	43388	50433881	Return tube (model 43177).....	1	48*			O-ring, .875 x 1.00 x .062-70.....	1
	43387	50433873	Return tube (model 43178).....	1	49	54819	90548191	Retaining ring, .875".....	1
4	43389	50433890	Outer tube (model 38568).....	1	50	41297	50412971	Retaining ring, .625".....	1
	48262	50482629	Outer tube (model 43177).....	1	51			Screw, cap, #10-32 x .375 button socket head.....	2
	48263	50482637	Outer tube (model 43178).....	1	52†	40595	50405950	Saw head assembly (includes items 53, 54, 69).....	1
5	41121	50411214	Plug.....	1	53	41591	50415911	Needle bearing, .439 x .625 x .500.....	2
6*			O-ring, .937 x 1.062 x .062-90.....	1	54*			O-ring, .500 x .687 x .093-80.....	1
7	40118	50401184	Carrier, nut.....	1	55	40405	50404053	Motor cap assembly with bearings (includes items 56, 66, 70).....	1
8	48818	50488180	Handle assembly (includes items 27-51).....	1	56	41591	50415911	Needle bearing, .439 x .625 x .500.....	2
9			Screw, machine, 1/4-20 x .500 oval head.....	3	57	43839	50438395	Shaft.....	1
10			Screw, cap, 1/4-20 x .750 hex head, grade 5.....	2	58	40114	50401144	Idler shaft.....	1
11			Lock washer, 1/4".....	2	59	40115	50401154	Woodruff key.....	1
12	43369	50433695	Saw bar.....	1	60	41593	50415930	Pin, drive, .123 x .209 square head.....	1
13	43370	50433709	Saw chain, .325" pitch.....	1	61	41594	50415940	Gear, 11-tooth.....	2
14†	40846	50408461	Cover.....	1	62*			Gasket, 2.09 x 3.09 x .0015.....	1
15†			Screw, cap, 5/16-18 x 1.500 hex head.....	2	63	41596	50415960	Pin, dowel, .250 x .500.....	2
16 ♦			Spacer.....	1	64	41598	50415981	Ball bearing.....	1
17 ♦			Woodruff key, #2.....	1	65	41482	50414821	Retaining ring, 1.375".....	1
18	55101	90551010	Rim sprocket, .325" pitch.....	1	66			Screw, cap, 1/4-20 x 1.000 socket head.....	8
19 ♦			Nut, hex, 1/2-20.....	1	67*†			O-ring, .375 x .500 x .062-70.....	1
20†			Screw, machine, 1/4-20 x 2.00 fillister head.....	1	68†	40189	50401891	Screw, metering, 1/8 NPTF.....	1
21†	40197	50401972	Dog.....	1	69*			O-ring, .437 x .562 x .062-90.....	2
22*			O-ring, .875 x 1.00 x .062-70.....	2	70			Washer, 6 mm, hard.....	8
23	42015	50420154	Rubber grommet.....	1					
24 ♦			Washer, flat, .530 x 1.50 x .050.....	1					
26 ♦			Adapter, sprocket.....	1					
27	48815	50488155	Handle.....	1					
28	43420	50434209	Sleeve.....	1					
29*			O-ring, .750 x .875 x .062-90.....	1					
30	41712	50417122	Retaining ring, .750".....	1					
31*			O-ring, .787 x .889 x .051-70.....	1					
32	41095	50410952	Cap.....	1					
33	42865	50428651	Spring.....	1					
34*			O-ring, .437 x .625 x .093-90.....	1					
35	43421	50434217	Spool.....	1					
36*			O-ring, .312 x .437 x .062-70.....	1					
37	41096	50410962	Washer, .355 x .615 x .030.....	1					
38	48817	50488171	Trigger guard.....	1					
39			Screw, machine, #10-32 x .375 round head.....	1					
40			Lock washer, #10.....	1					
41	04797	50047973	Trigger.....	1					
42	04798	50047981	Latch, trigger interlock.....	1					

Kits									
*	48254	50482548	Packing kit (includes items marked with an asterisk)						
	48818	50488180	Handle assembly (retrofits to Cool Grip handle) (includes items 27-51)						
	40595	50405950	Saw head assembly (includes items 53, 54, 69)						
	40405	50404053	Motor cap assembly (includes items 56, 66, 70)						
	04796	50047965	Safety trigger assembly (includes items 41-46)						
♦	12657	52028588	Drive repair kit (includes items marked with t)						
†	02090	52058056	Retrofit kit (replaces items marked with †); converts to AMM/AMN/AMP model						
Note: Motor assembly for serial codes AMM/AMN/AMP is interchangeable as retrofit kit.									

Decals									
	46293	50462938	Decal.....						
	41547	50415471	Decal, Greenlee Utility.....						